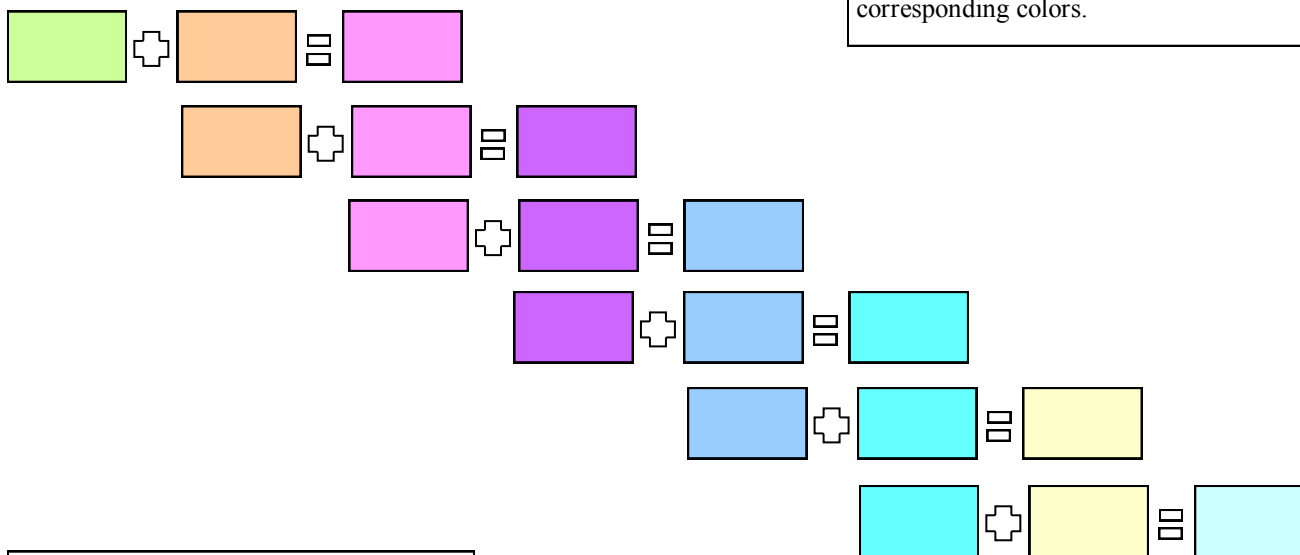


Number Devil Activities: The Tenth Night

The Golden Ratio

Directions: Choose 2 numbers. Write the smaller number in the green box and the larger number in the orange box. Follow the mathematical symbols to complete the worksheet writing numbers in all the boxes with corresponding colors.



Use the numbers from the equations above to complete these equations.

	\div		$=$	<input type="text"/>
	\div		$=$	<input type="text"/>
	\div		$=$	<input type="text"/>
	\div		$=$	<input type="text"/>
	\div		$=$	<input type="text"/>
	\div		$=$	<input type="text"/>
	\div		$=$	<input type="text"/>

The answer to each problem is very near the "golden ratio". The golden ratio is found in the human body, nature, and famous art and architecture.